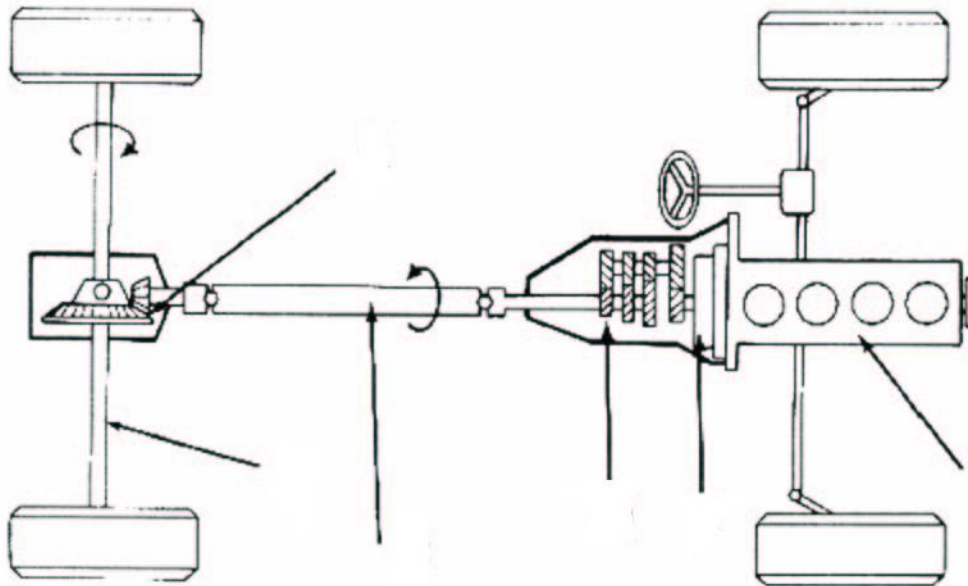


Drive Train and Manual Transmission



Add the following names to the correct position on the diagram

Clutch

Final Drive

Rear drive axle

Engine

Manual Transmission

Drive Shaft