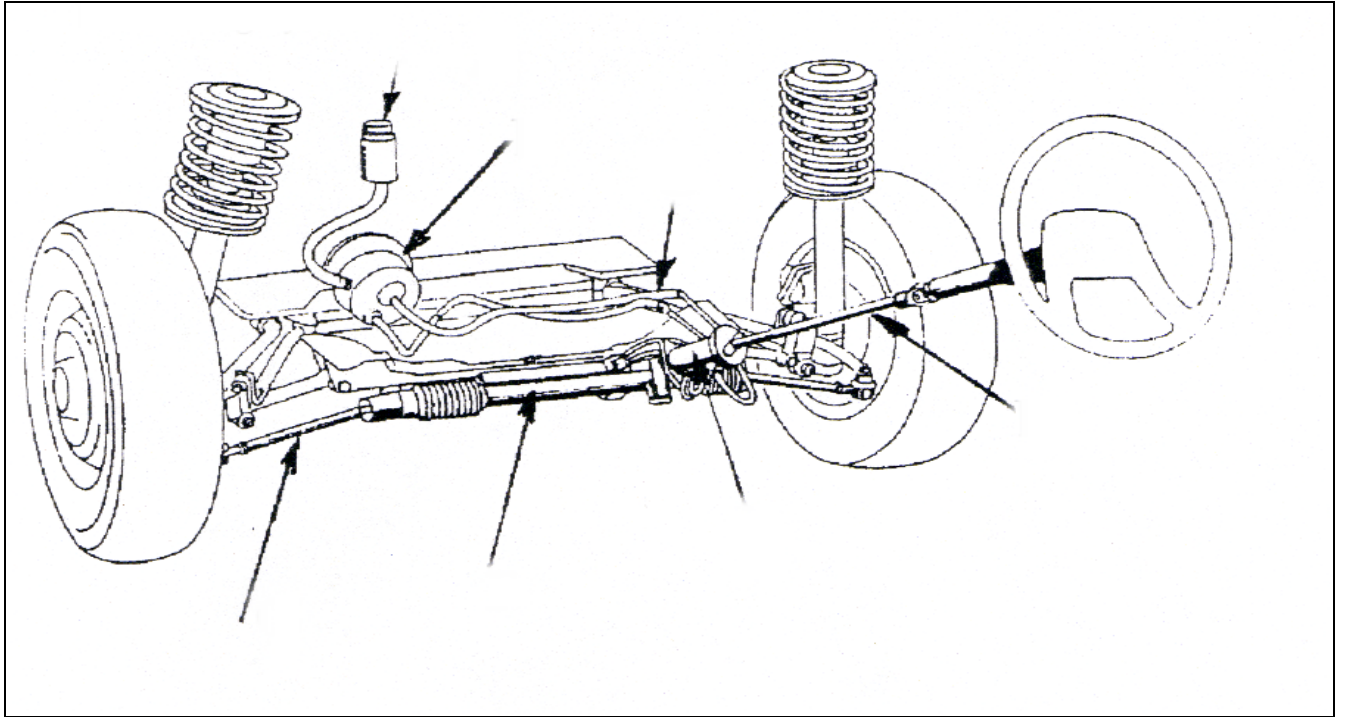


# Steering System



<b>Steering shaft</b>	<b>High pressure hose</b>
<b>Tie rod arm</b>	<b>Power steering pump</b>
<b>Rack housing</b>	<b>Power steering fluid reservoir</b>
<b>Pinion housing</b>	

Print laminate and cut out the names to put in the correct places on the diagram