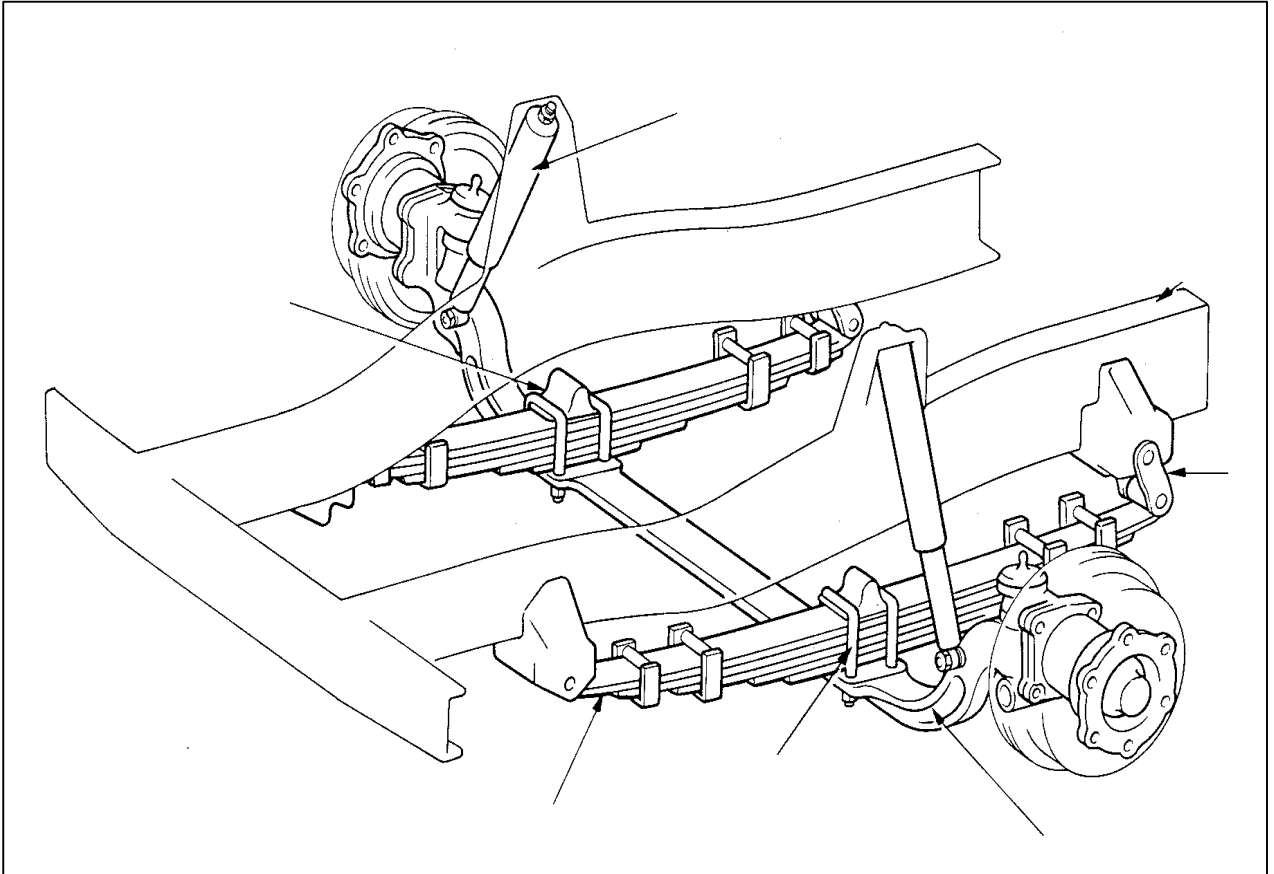


Suspension Systems



Leaf spring	Shock absorber
Wheel hub	Spring u bolt
Chassis rail	Axle beam
Spring shackle	Bump stop

Print laminate and cut out the names to put on the correct places on the diagram