

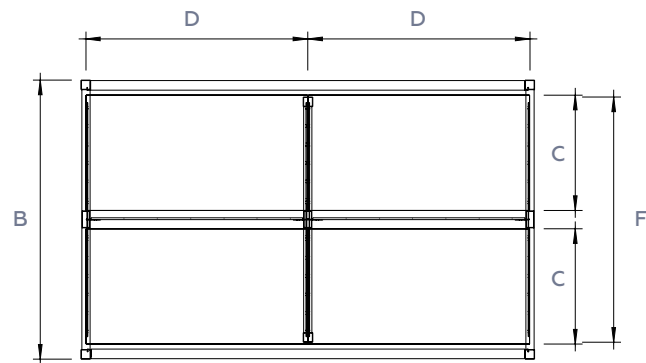
III Frame Works AFM[®]

Experience | Enterprise | Excellence

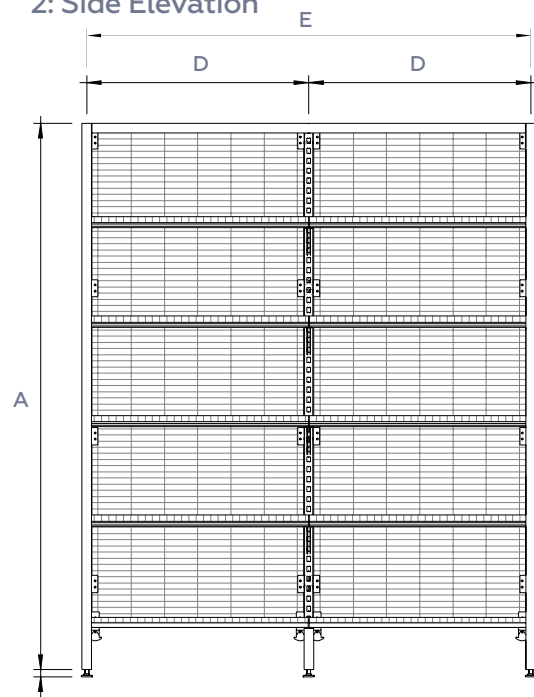
4: 3D Assembly

A	B	C	D	E	F
2250	1150	475	915	1830	1010

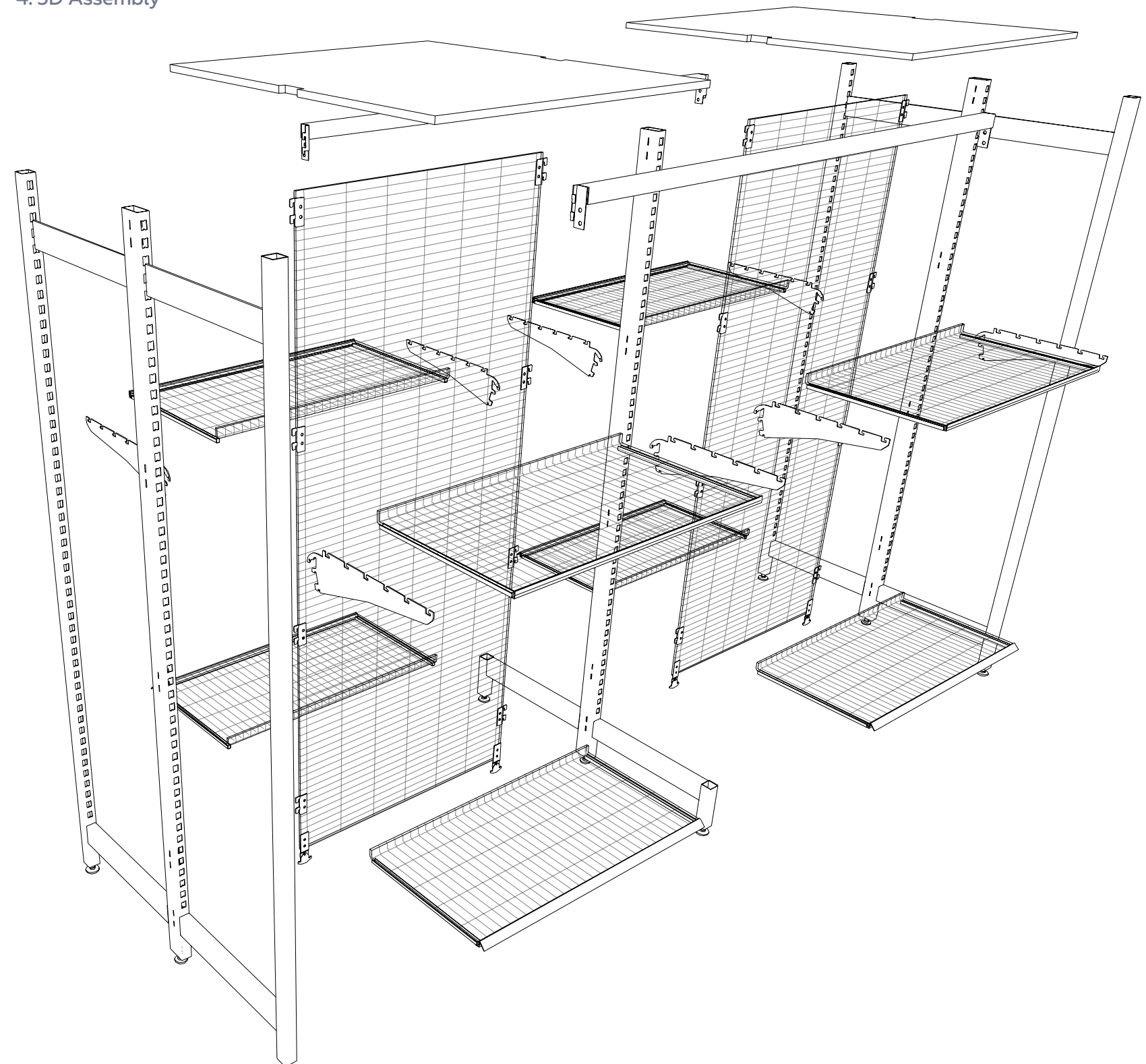
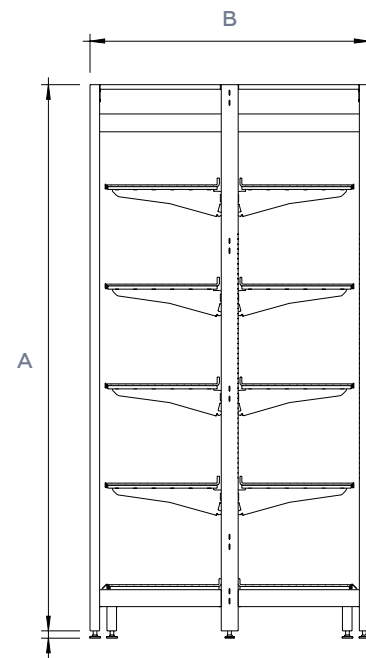
1: Plan



2: Side Elevation



3: End Elevation



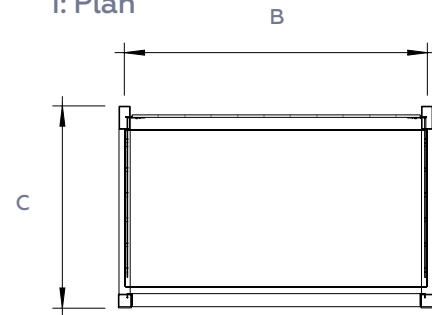
Econoshelf - Aisle with Top Storage

III Frame Works AFM[®]

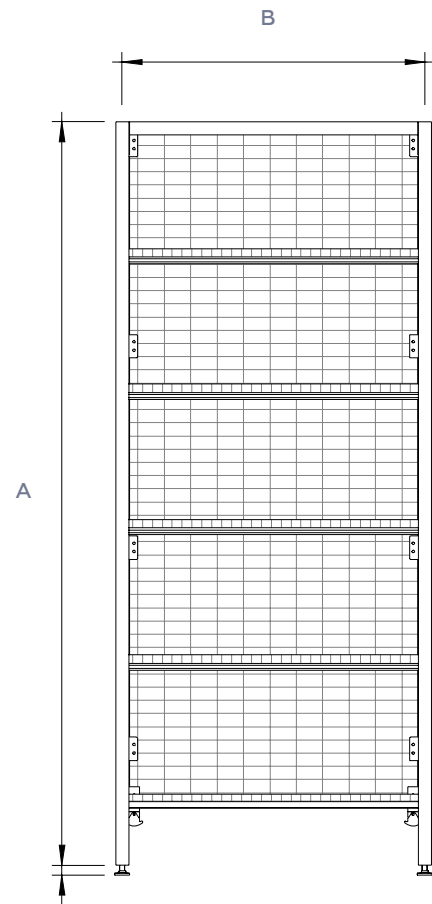
Experience | Enterprise | Excellence

A	B	C
2250	916	610

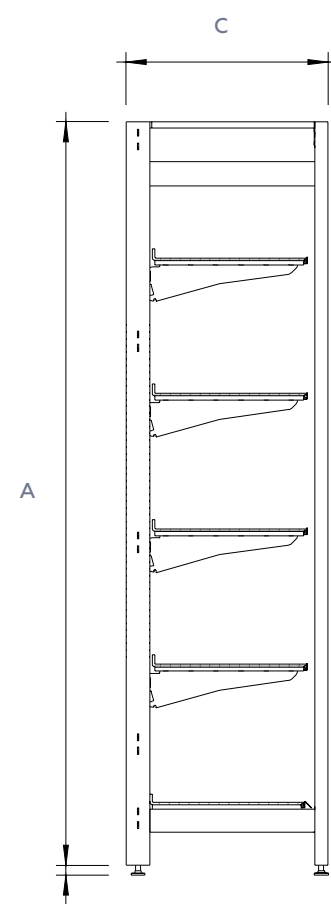
1: Plan



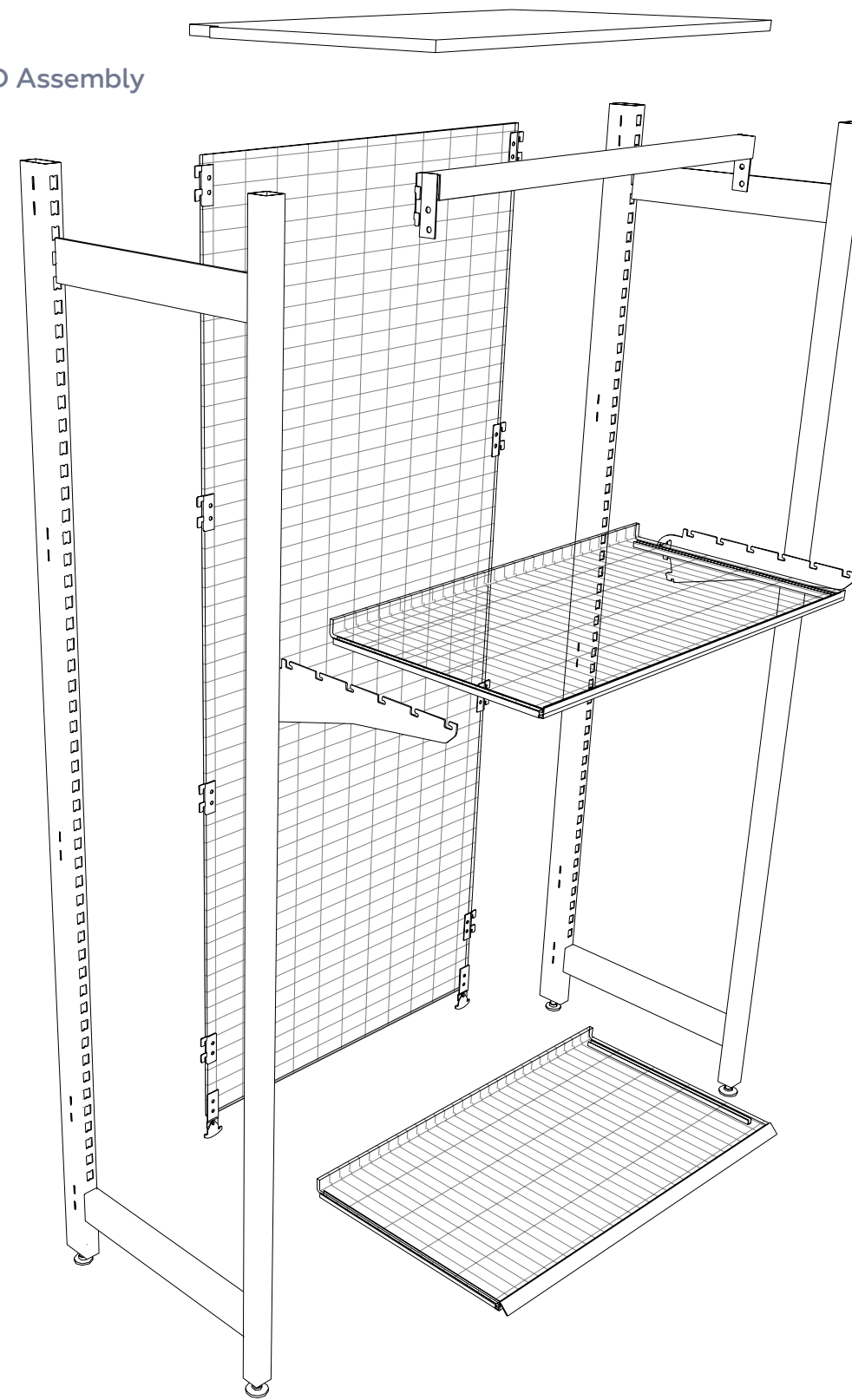
2: Side Elevation



3: End Elevation



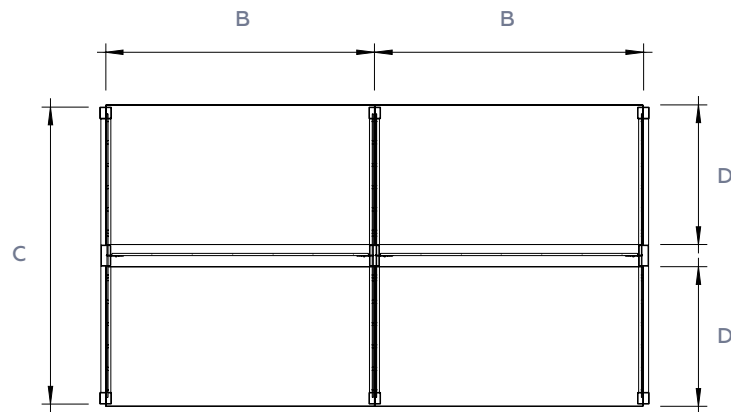
4: 3D Assembly



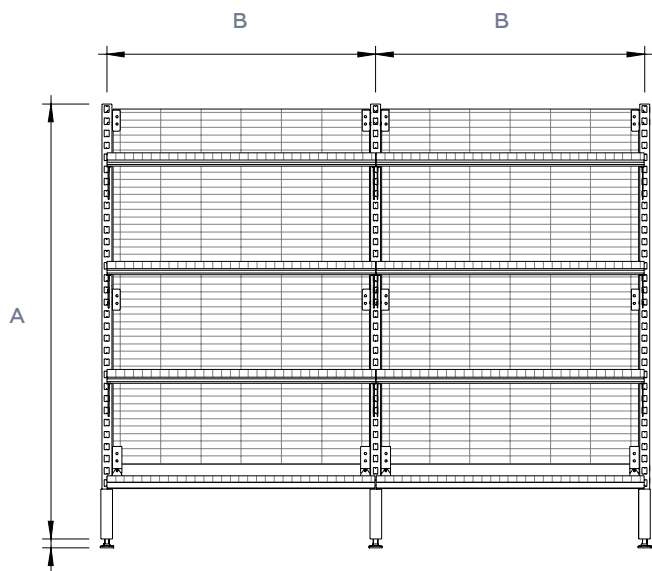
Econoshelf - Gondola End Shelving Bay

A	B	C	D
1480	915	1010	475

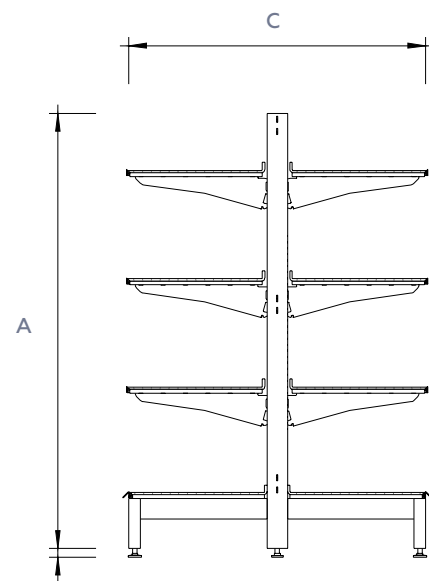
1: Plan



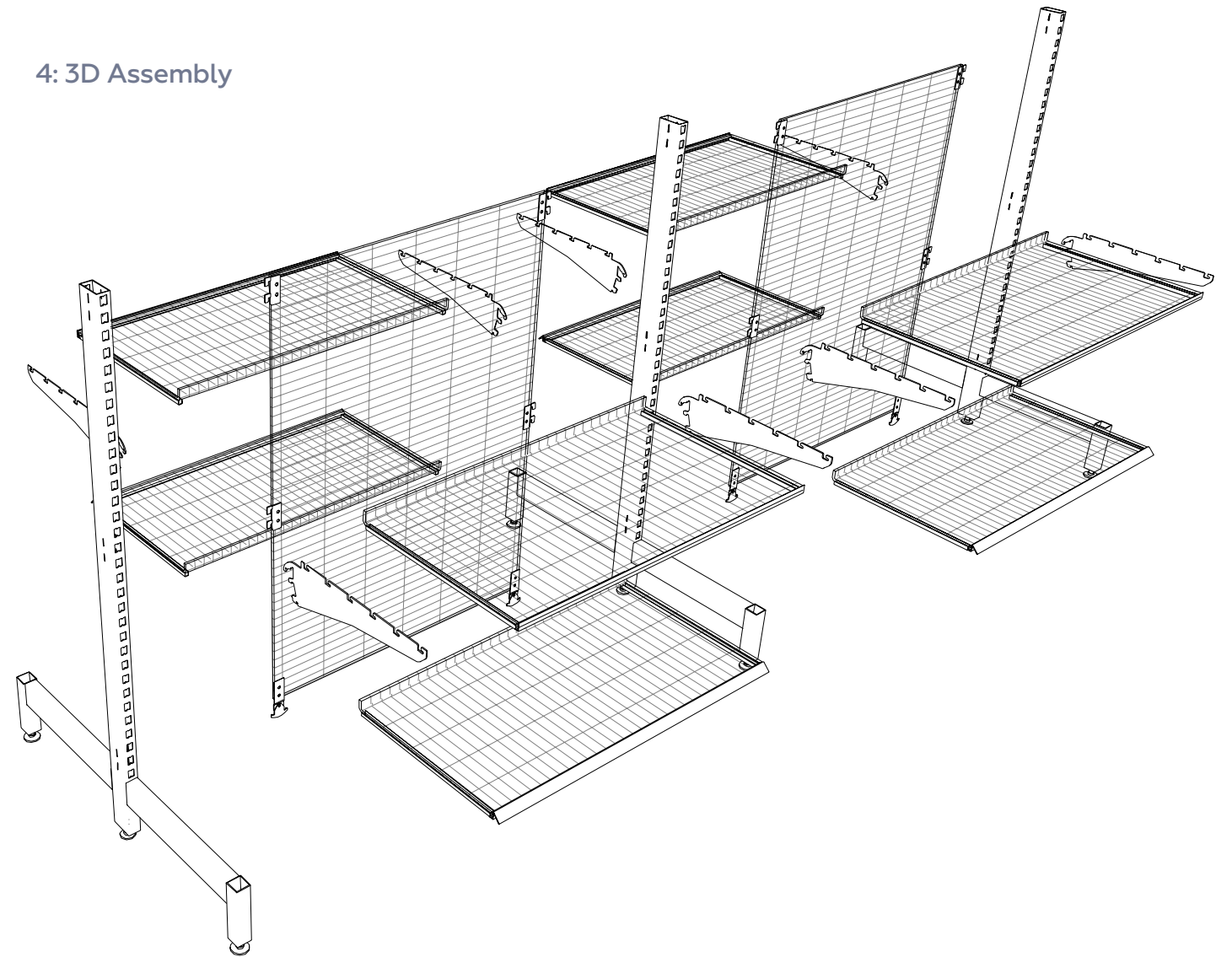
2: Side Elevation



3: End Elevation



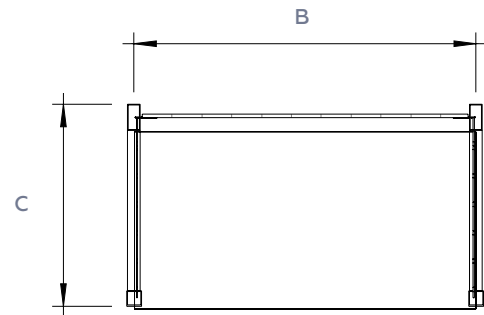
4: 3D Assembly



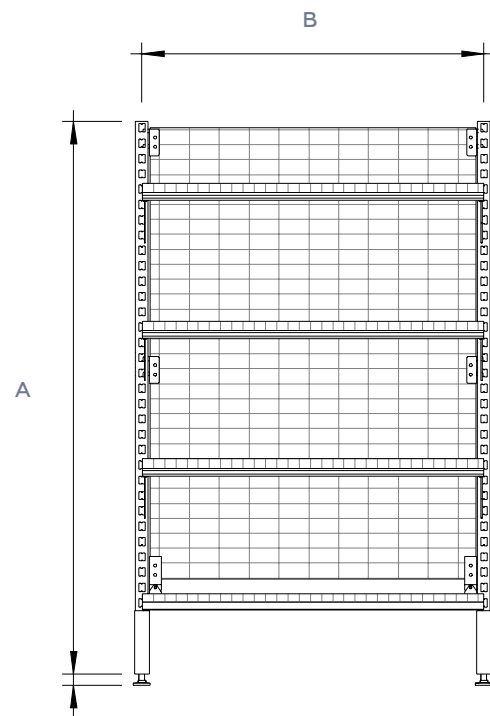
Econoshelf - Aisle Shelving Bay

A	B	C
1480	916	540

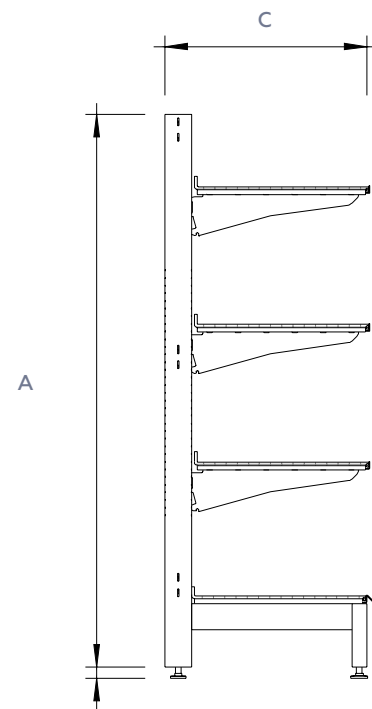
1: Plan



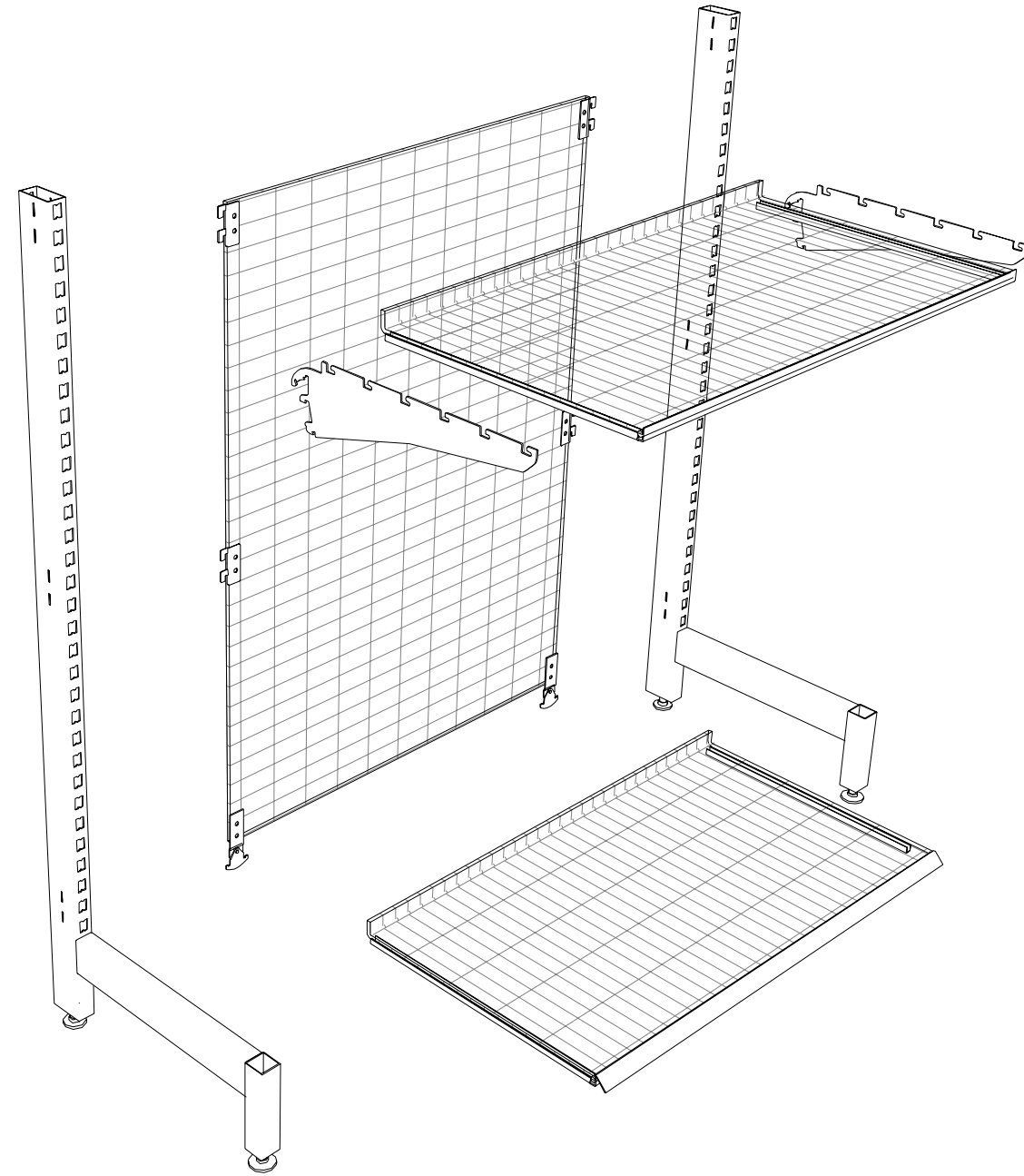
2: Side Elevation



3: End Elevation



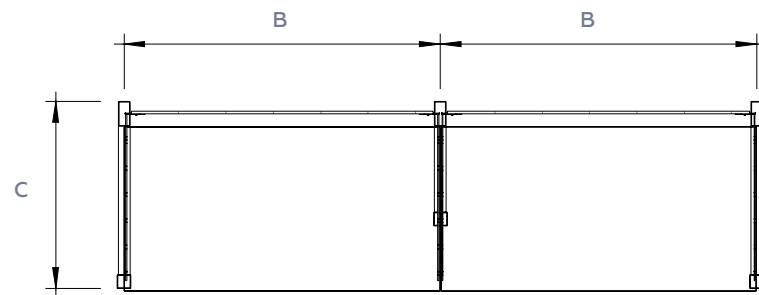
4: 3D Assembly



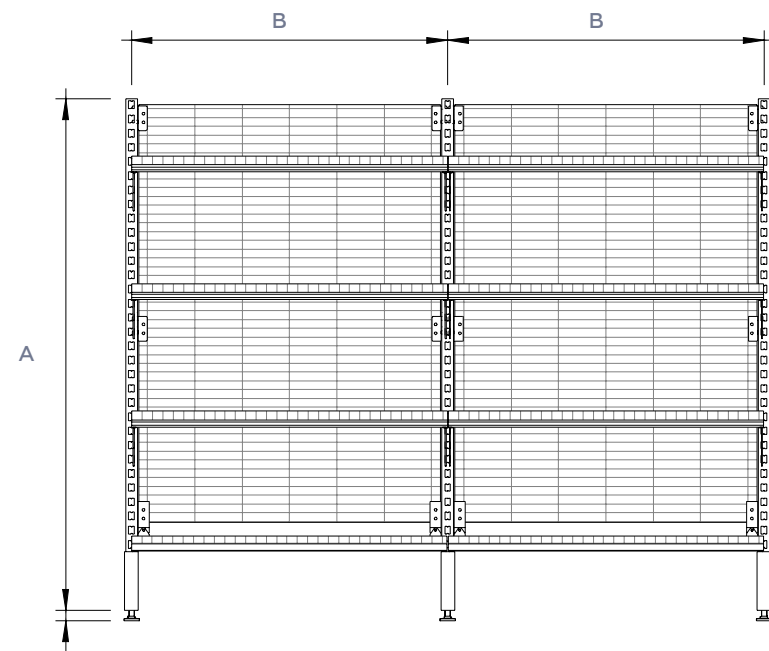
Econoshelf - Low Gondola End Shelving Bay

A	B	C
1480	915	540

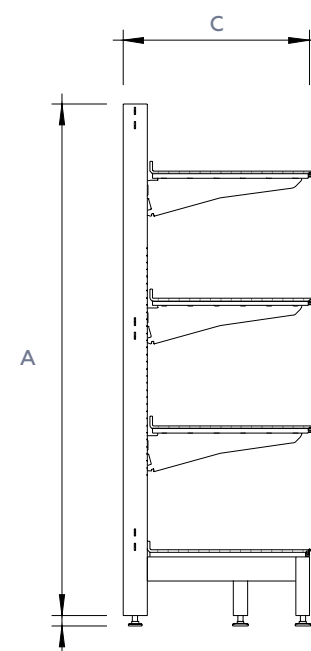
1: Plan



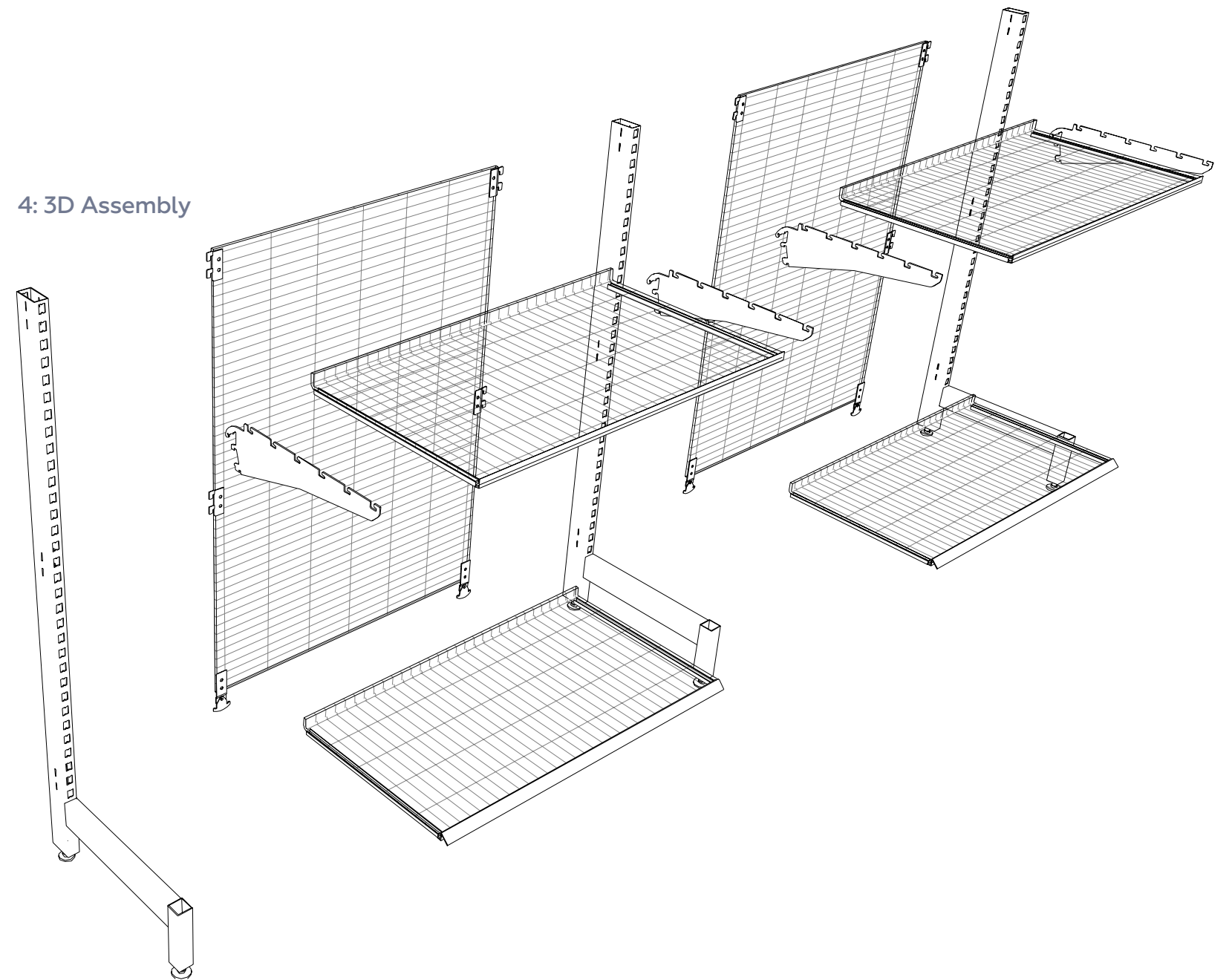
2: Side Elevation



3: End Elevation



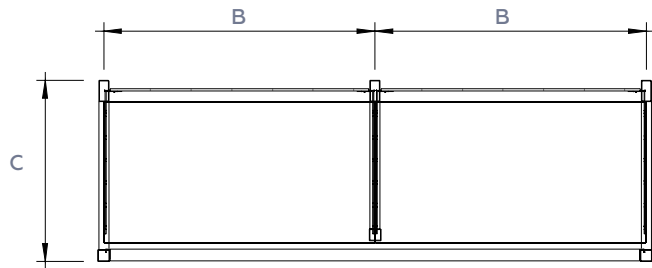
4: 3D Assembly



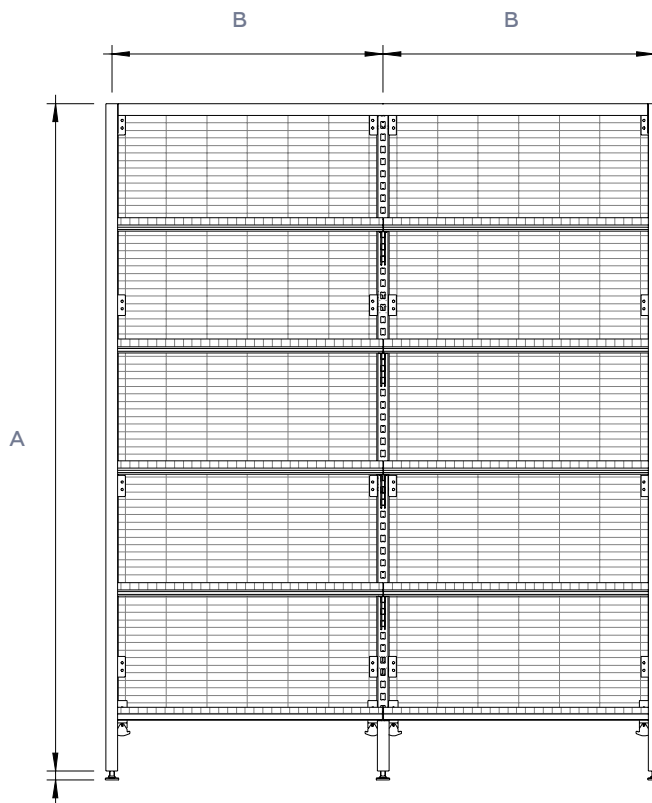
Econoshelf - Wall Shelving Bay

A	B	C
2250	915	540

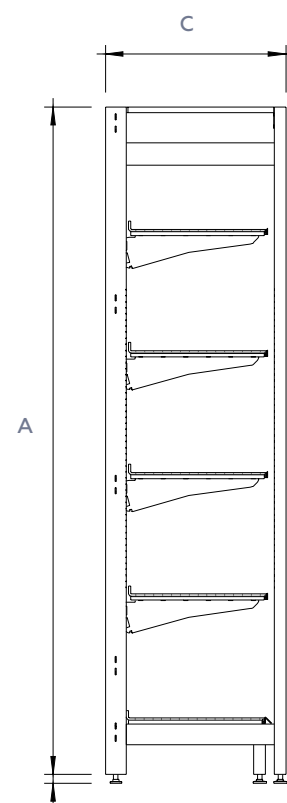
1: Plan



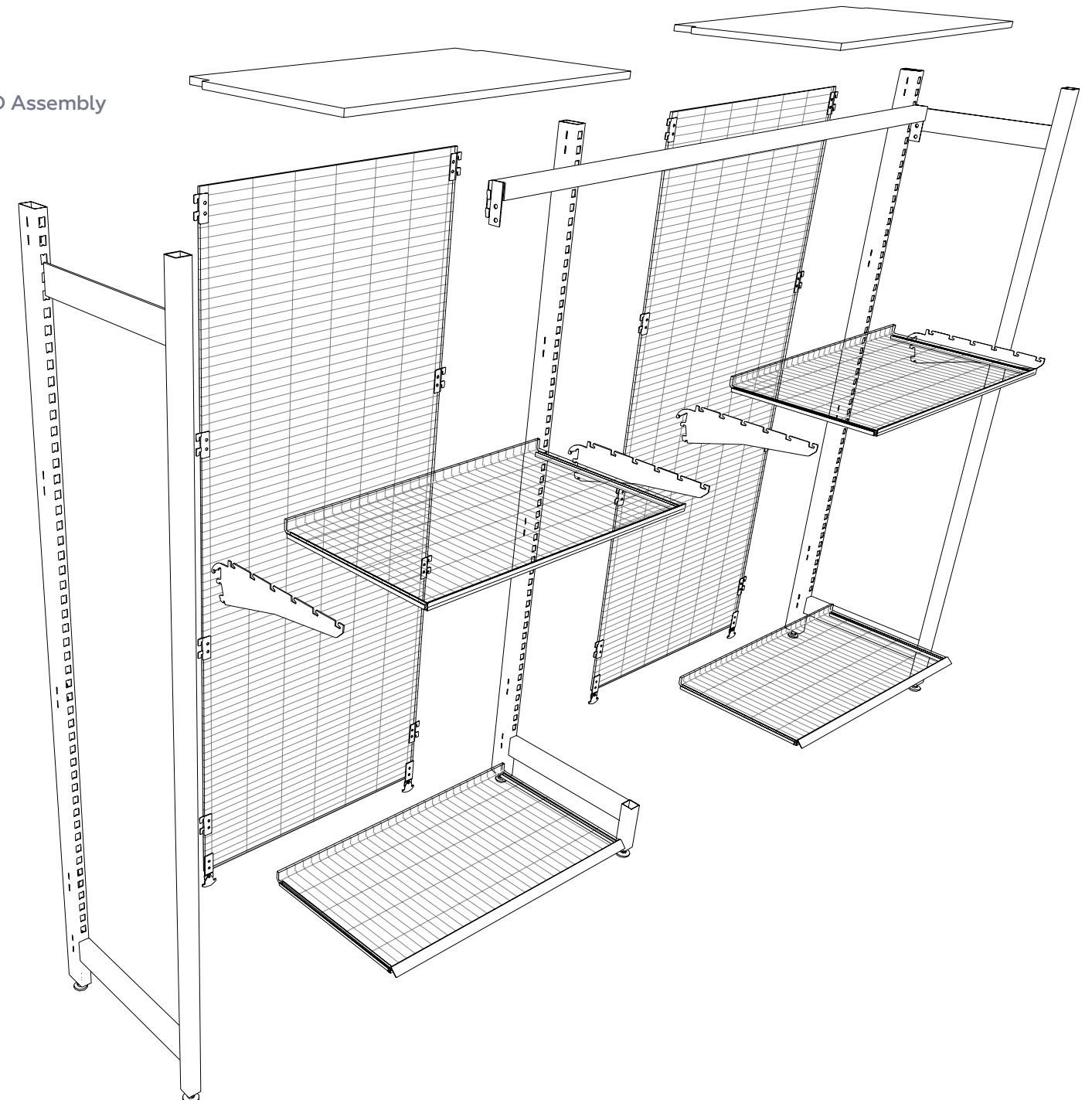
2: Side Elevation



3: End Elevation



4: 3D Assembly



Econoshelf - Wall with Top Storage