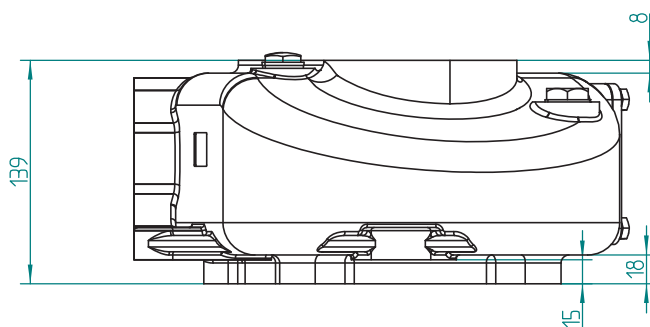
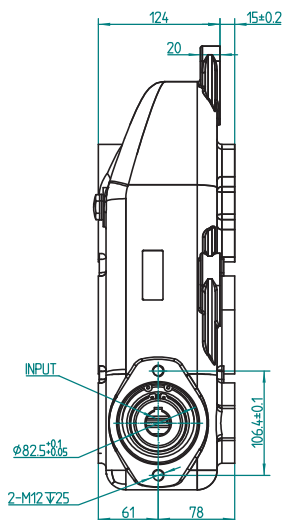
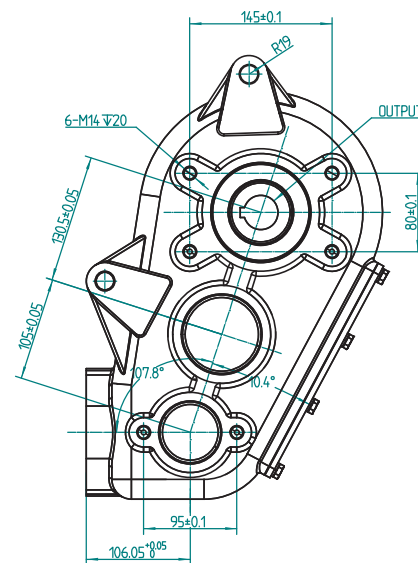
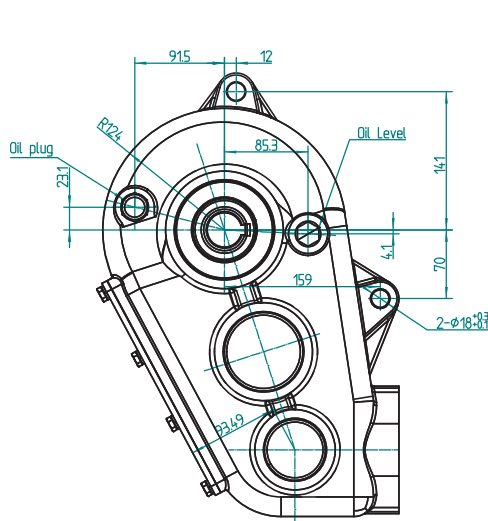
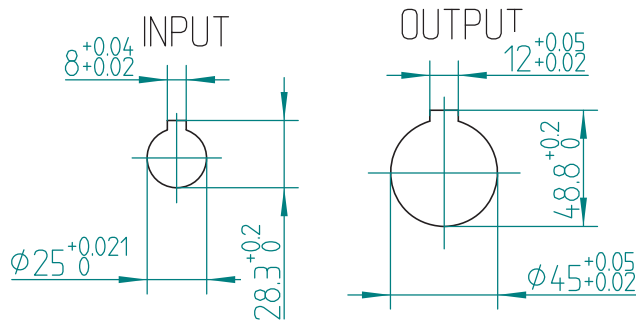
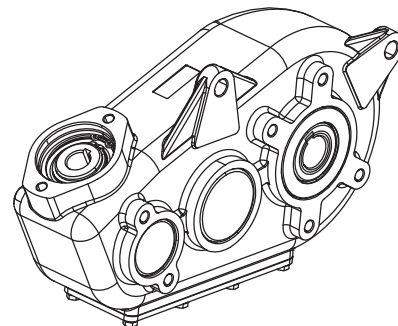




CMR

Code: H300/45

Ratio	Nm Rating	Shaft size	Pump Shaft	Oil type	Kg
29,5:1	3000	45mm	25mm	SAE90EP	37



Note: Equivalent to Berma RT300