

Spreader / Adapter Order

Refer to fig 2. on this page.

Spreaders		
Type	Pitch	Quantity

Adapters		
Type	Pitch	Quantity
Dux Coupling 90mm Drain (Sealed System)		
Dux Coupling 100mm Drain (Sealed System)		
90mm to 80mm PVC adapter		
100mm to 80mm PVC adapter		
100 x 50 to 90mm PVC adapter		
100 x 50 to 100mm PVC adapter		

Reference

Fig 1.

- A** Base of gutter to base of outlet
 - B** Back of outlet to wall
 - C** Base of gutter to ground level
 - D** Back of riser to wall (standoff)
 - E** Outside diameter of outlet
- NB 74mm fits directly into round pipe without need flanging.

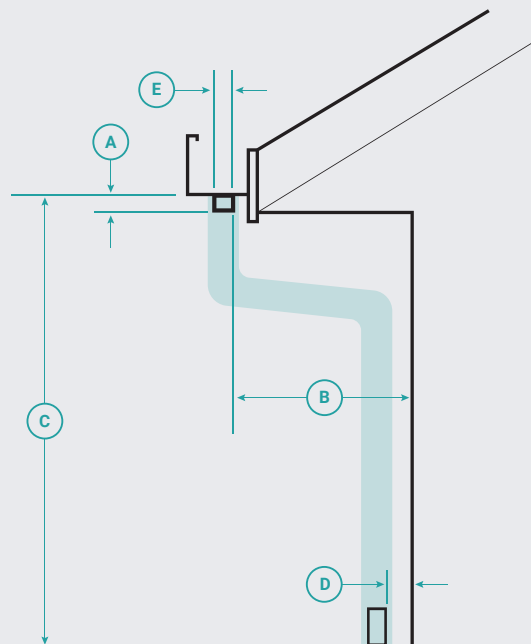


Fig 2.

